

DRAWING NUMBER		163	4440-B		
DOOR TYPE	CONFIGURATION	Automatic Door Configuration	Threshold Height & Type	Door Arm	Control Box
WOOD	OFFSET HUNG	RHO	.25" RISER SURFACE	RIXSON #327	IN CASE

ALL DIMENSIONS ARE TO BE: GUARANTEED

GENERAL NOTES

- AUTOMATIC DOORS ARE CUSTOM IN NATURE AND REQUIRE LONG LEAD TIMES FOR MANUFACTURER.
- FRAMING NOTES: CONTRACTOR MUST GUARANTEE ALL DIMENSIONS.
- ROUGH OPENING MUST BE PLUMB, LEVEL & SQUARE.
- FINISHED FLOOR MUST NOT VARY MORE THAN 1/4" FROM HIGHEST TO LOWEST POINT.
- ELECTRICAL: 110VAC & LOW VOLTAGE - CONDUIT & WIRE PULL BY OTHERS.
- ALUMINUM BREAK METAL BY OTHERS - UNLESS SPECIFICALLY NOTED.
- CLEANING AND PROTECTION OF INSTALLED MATERIALS BY OTHERS.

CUSTOMER APPROVAL:

DATE:

APPROVED AS SUBMITTED
 APPROVED AS NOTED
 REVISE & RESUBMIT

SHEET INDEX		
NO:	DESCRIPTION	REV
101	SHEET INDEX	
102	SYMBOLS AND NOTES	
103	INSTALLATION GUIDELINES	
104	CBC PRESS PLATE GUIDELINES	
201	PRODUCT SCHEDULE	
401	ELEVATION	
501	SECTION VIEW	
601	FRONT AND PLAN VIEW (RHO)	
701	DOOR ARM (DOOR PREPERATION)	
702	STANDARD THRESHOLD PREPERATION	

NOTES TO ARCHITECT, GC & CUSTOMER

NOTES TO ARCHITECT, GC & CUSTOMER

- ALL DRAWINGS AND DIMENSIONS ARE ASSUMED CORRECT UNLESS REDLINED AND RETURNED.
- VERIFY ALL ROUGH/FINISHED OPENING DIMENSIONS.
- VERIFY ALL SILL ANCHOR POINT LOCATIONS & DIMENSIONS.
- VERIFY STRUCTURAL INTEGRITY OF ALL SURROUNDING CONDITIONS FOR JAMB & HEADER ATTACHMENT POINTS.

SUBMITTAL SECTION

AUTOMATIC DOOR OPERATORS AND ELECTRICAL COORDINATION PROVIDED. DOORS, FRAMES & HARDWARE ARE PROVIDED BY OTHERS.

CUSTOMER

-

CONTRACTOR

-

ARCHITECT

-

NOTES TO ARCHITECT

-

FURNISHED DOCUMENTS

YES	NO	X	DESCRIPTION
		X	ARCHITECTURALS
DATE:			-
		X	STRUCTURAL
DATE:			-
		X	SPECIFICATION
SECTIONS		DESCRIPTION	
-		ALUM. ENT. & STFTS	
-		FINISH HARDWARE	
-		GLASS & GLAZING	
-		AUTOMATIC OPENERS	
ADDENDUMS:		#	

NO:	DATE:	REVISION DESCRIPTION:

ENGINEER APPROVAL:



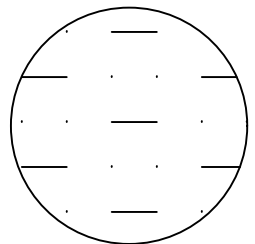
 2834 Hamner Ave #308 Norco, CA 92860 | www.AutomatedDoorSolutions.com
 Phone 866.945.7594 | Sales@AutomatedDoorSolutions.com

PROJECT DESCRIPTION:

JOB NAME:	
JOB ADDRESS:	PROJECT NO:
JOB CITY:	SHEET SCALE: NONE
SHEET DESCRIPTION: SHEET INDEX	SHEET NO: 101

SWING DOOR CODE / ANSI REQUIRED DECALS

DECAL REFERENCE SHOWN ON ELEVATION:

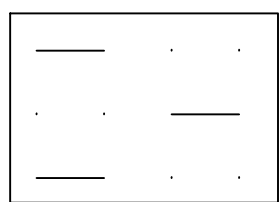


7 1/2" - ROUND LOCATED ON BOTH SIDES OF ACTIVE PANEL(S)

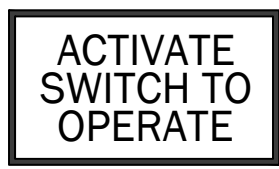


66" ± 6" CENTERED ON DOOR
 TOP AND BTM SECTIONS: YELLOW BACKGROUND BLACK LETTERING.
 CENTER: BLACK BACKGROUND, YELLOW LETTERING

DECAL REFERENCE SHOWN ON ELEVATION:



LOCATED ON BOTH SIDES OF DOOR PANEL(S)



WHITE LETTERING/WHITE BORDER & BLUE BACKGROUND

ABBREVIATIONS

- AFF = ABOVE FINISHED FLOOR
- BL = BOTTOM LOAD HEADER
- BO = BREAKOUT OPENING (MAX)
- BO? = BOTTOM OF ?
- ¢ = CENTERLINE
- CO = CUT OUT
- DLO = DAYLITE OPENING
- DC = DOOR CLEARANCE
- DO = DOOR OPENING
- DS = DOOR SIZE
- E = EXISTING
- EA = EACH
- EQ = EQUAL
- ESO = ELECTRICAL STUB OUT
- FFL = FINISHED FLOOR LINE
- FO = FINISHED OPENING
- FS = FRAME SIZE
- HG = HARDWARE GROUP
- HL = HEADER LENGTH
- IB = IN BETWEEN
- MFR = MANUFACTURER
- MIN = MINIMUM
- MRK = MARK
- N = NEW
- NC = NORMALLY CLOSED
- NIC = NOT IN CONTRACT
- NO = NORMALLY OPEN
- OC = ON CENTER
- OSA = OVERALL SERVICE ACCESS
- PP = PIVOT POINT
- PS = PANEL SIZE
- QTY = QUANTITY
- REF = REFERENCE
- RO = ROUGH OPENING
- SA = SERVICE ACCESS
- SDS = SEE DOOR SCHEDULE
- SL = SIDE LOAD HEADER
- SO = SLIDE OPENING
- THOLD = THRESHOLD
- TLP = THOLD LARGE PIECE
- TSP = THOLD SMALL PIECE
- TP = TERRAZZO PAN
- UJ = UNDER JAMB
- VIF = VERIFY IN FIELD

SYMBOLS

TITLE

DETAIL VIEW: REF

DETAIL REFERENCE: SHEET

EXTERIOR ELEVATION REFERENCE: SHEET

EGRESS DIRECTION:

INTERIOR ELEVATION REFERENCE: SHEET

ELECTRICAL SYMBOLS

= NON-INTERSECTING WIRES DRAWN FOR ILLUSTRATION

SCREW ABBREVIATIONS

- SMS = SHEET METAL SCREW
- MS = MACHINE SCREW
- WS = WOOD SCREW
- FH = FLAT HEAD
- P = PHILLIPS
- PH = PAN HEAD
- PEX = PLASTIC EXPANDING ANCHOR
- HH = HEX HEAD
- SD = SELF DRILLING
- SF = STRUCTURAL FASTENER
- SS = STAINLESS STEEL

DOOR TYPE LEGEND

SWING DOORS
 ALSO DENOTES HANDING:

- SPO=SIMULTANEOUS PAIR OUTSWING
- SPI=SIMULTANEOUS PAIR INSWING
- U/RHO = UNEVEN PAIR OUTSWING (RH-OUT)
- U/LHO = UNEVEN PAIR OUTSWING (LH-OUT)
- U/RHO = UNEVEN PAIR OUTSWING(RH-OUT)
- U/RHI = UNEVEN PAIR INSWING (RH-OUT)
- U/LHI = UNEVEN PAIR INSWING (LH-OUT)
- U/RHI = UNEVEN PAIR INSWING(RH-OUT)
- DE1=DUAL EGRESS 1 HEADER (INSWING/OUTSWING)
- DE2=DUAL EGRESS 2 HEADERS (OUTSWING)
- RHO=RIGHT HAND OUTSWING
- RHI=RIGHT HAND INSWING
- LHO=LEFT HAND OUTSWING
- LHI=LEFT HAND INSWING

REVISION NOTES:

NOT FOR CONSTRUCTION ONLY

NO:	DATE:	REVISION DESCRIPTION:

ENGINEER APPROVAL:

2834 Hamner Ave #308 Norco, CA 92860 | www.AutomatedDoorSolutions.com
 Phone 866.945.7594 | Sales@AutomatedDoorSolutions.com

PROJECT DESCRIPTION:

JOB NAME:	
JOB ADDRESS:	PROJECT NO:
JOB CITY:	SHEET SCALE: NONE
SHEET DESCRIPTION: SYMBOLS AND NOTES	SHEET NO: 102

IN-GROUND INSTALLATION GUIDELINES:

1. PENETRATIONS: THE CEMENT CASE MUST ONLY BE PENETRATED TO INSTALL ELECTRIC POWER SERVICE AND LOW VOLTAGE SIGNAL WIRES. USE OF LIQUID TIGHT FITTINGS IS A CODE REQUIREMENT BY THE NATIONAL ELECTRIC CODE (NEC). ATTACHMENTS TO THE CEMENT CASE COVER ARE NEVER PERMITTED.

PLEASE NOTE: IN CERTAIN EXTERIOR CONDITIONS (DOWNGRADE ELEVATION, OPENINGS WITH DIRECT CONTACT TO PRECIPITATION, EXTREME HUMIDITY OR OTHER SIMILAR CONDITIONS) A DRAIN SYSTEM OR PROVISION FROM THE UNIT IS RECOMMENDED. IN ADDITION, THE CONTROL UNIT SHOULD BE MOUNTED IN AN ELEVATED POSITION OR REMOTELY LOCATED SEPARATE FROM THE UNIT. CONDENSATION RESULTING FROM TEMPERATURE AND OR CLIMATIC CONDITIONS IS A NATURALLY OCCURRING PROCESS AND NOT A WARRANTY PROVISION.

2. SEALS: ALL SEALS PROVIDED WITH THE IN-GROUND OPENER SYSTEM MUST BE INSTALLED INCLUDING:
 A. SPINDLE SEAL AT COVER
 C. PERIMETER GASKET BETWEEN CEMENT CASE AND COVER

SPECIAL NOTE ON SEALS: ANY SEAL FOUND TO BE DAMAGED OR WORN MUST BE REPLACED IMMEDIATELY TO MAINTAIN THE WARRANTY.

3. THRESHOLD: ALL THRESHOLDS MUST BE MANUFACTURED BY AES OR MANUFACTURED TO AES SPECIFICATIONS SHOWN ON INCLUDED SHOP DRAWINGS. THRESHOLDS MUST BE MANUFACTURED TO ACCEPT ALL SEALS, MUST BE REMOVABLE FOR FUTURE SERVICE, WITHOUT REMOVING DOOR AS SHOWN ON INCLUDED SHOP DRAWINGS AND MUST BE ATTACHED TO THE SURROUNDING FLOOR WITHOUT PENETRATING THE CEMENT CASE OR CEMENT CASE COVER. ALL CEMENT CASE COVERS MUST HAVE A PERIMETER SEAL OF SILICONE OR SIMILAR WATER PROOFING SEALANT APPLIED TO KEEP WATER FROM ENCROACHING INTO THE CEMENT CASE.

4. PRESSURE WASHING IS NEVER PERMITTED AT OR NEAR THE IN-GROUND OPENER INSTALLATION.

NOT FOR CONSTRUCTION OR SUBMITTAL FOR REVIEW ONLY

WWW.PROSHOPDRAWINGS.COM

DATE PRINTED: 4/20/21

NO:	DATE:	REVISION DESCRIPTION:	ENGINEER APPROVAL:	 2834 Hamner Ave #308 Norco, CA 92860 www.AutomatedDoorSolutions.com Phone 866.945.7594 Sales@AutomatedDoorSolutions.com	JOB NAME:	
					JOB ADDRESS:	PROJECT NO:
					JOB CITY:	SHEET SCALE: NONE
					PROJECT DESCRIPTION:	SHEET DESCRIPTION: INSTALLATION GUIDELINES
						SHEET NO: 103
THIS DRAWING SCALED TO PRINT 17" x 11"						

PRESS PLATE LOCATION(S) MUST CONFORM WITH CBC11B-305.3 AS INDICATED IN 11B-404.2.9 EXCEPTION 2C.

11B-305.4 KNEE AND TOE CLEARANCE. UNLESS OTHERWISE SPECIFIED, CLEAR FLOOR OR GROUND SPACE SHALL BE PERMITTED TO INCLUDE KNEE AND TOE CLEARANCE COMPLYING WITH SECTION 11B-306.

11B-305.5 POSITION. UNLESS OTHERWISE SPECIFIED, CLEAR FLOOR OR GROUND SPACE SHALL BE POSITIONED FOR EITHER FORWARD OR PARALLEL APPROACH TO AN ELEMENT.

11B-305.6 APPROACH. ONE FULL UNOBSTRUCTED SIDE OF THE CLEAR FLOOR OR GROUND SPACE SHALL ADJOIN AN ACCESSIBLE ROUTE OR ADJOIN ANOTHER CLEAR FLOOR OR GROUND SPACE.

11B-305.7 MANEUVERING CLEARANCE. WHERE A CLEAR FLOOR OR GROUND SPACE IS LOCATED IN AN ALCOVE OR OTHERWISE CONFINED ON ALL OR PART OF THREE SIDES, ADDITIONAL MANEUVERING CLEARANCE SHALL BE PROVIDED IN ACCORDANCE WITH SECTIONS 11B-305.7.1 AND 11B-305.7.1.

11B-305.7.1 FORWARD APPROACH. ALCOVES SHALL BE 36 INCHES WIDE MINIMUM WHERE THE DEPTH EXCEEDS 24 INCHES.

11B-305.7.2 PARALLEL APPROACH. ALCOVES SHALL BE 60 INCHES WIDE MINIMUM WHERE THE DEPTH EXCEEDS 15 INCHES.

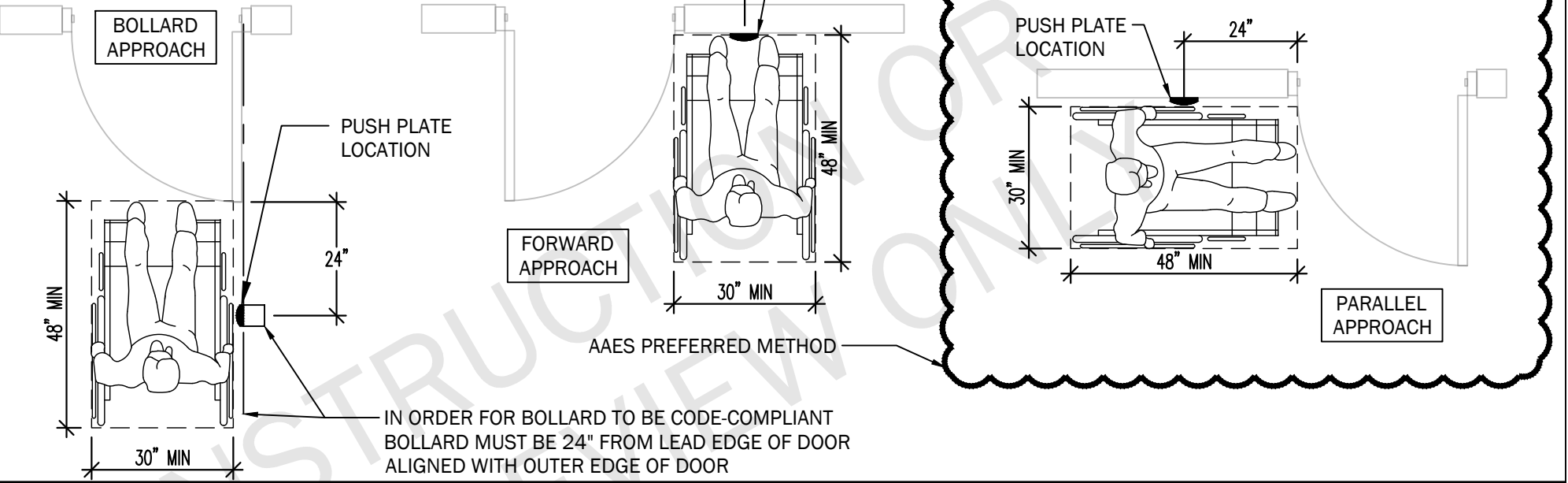
EXCEPTION-2C. POWERED DOORS SHALL BE CONTROLLED ON BOTH THE INTERIOR AND EXTERIOR SIDES OF THE DOORS BY SENSING DEVICES, PUSH PLATES, VERTICAL ACTUATION BARS OR OTHER SIMILAR OPERATING DEVICES COMPLYING WITH SECTIONS 11B-304, 11B-305 AND 11B-308.

AT EACH LOCATION WHERE PUSH PLATES ARE PROVIDED THERE SHALL BE TWO PUSH PLATES; THE CENTERLINE OF ONE PUSH PLATE SHALL BE 7 INCHES (178 MM) MINIMUM AND 8 INCHES (203 MM) MAXIMUM ABOVE THE FLOOR OR GROUND SURFACE AND THE CENTERLINE OF THE SECOND PUSH PLATE SHALL BE 30 INCHES (762 MM) MINIMUM AND 44 INCHES (1118 MM) MAXIMUM ABOVE THE FLOOR OR GROUND SURFACE. EACH PUSH PLATE SHALL BE A MINIMUM OF 4 INCHES (102 MM) DIAMETER OR A MINIMUM OF 4 INCHES BY 4 INCHES (102 MM BY 102 MM) SQUARE AND SHALL DISPLAY THE INTERNATIONAL SYMBOL OF ACCESSIBILITY COMPLYING WITH SECTION 11B-703.7.

AT EACH LOCATION WHERE VERTICAL ACTUATION BARS ARE PROVIDED THE OPERABLE PORTION SHALL BE LOCATED SO THE BOTTOM IS 5 INCHES (127 MM) MAXIMUM ABOVE THE FLOOR OR GROUND SURFACE AND THE TOP IS 35 INCHES (889 MM) MINIMUM ABOVE THE FLOOR OR GROUND SURFACE. THE OPERABLE PORTION OF EACH VERTICAL ACTUATION BAR SHALL BE A MINIMUM OF 2 INCHES (51 MM) WIDE AND SHALL DISPLAY THE INTERNATIONAL SYMBOL OF ACCESSIBILITY COMPLYING WITH SECTION 11B-703.7.

WHERE PUSH PLATES, VERTICAL ACTUATION BARS OR OTHER SIMILAR OPERATING DEVICES ARE PROVIDED, THEY SHALL BE PLACED IN A CONSPICUOUS LOCATION. A LEVEL AND CLEAR FLOOR OR GROUND SPACE FOR FORWARD OR PARALLEL APPROACH COMPLYING WITH SECTION 11B-305 SHALL BE PROVIDED, CENTERED ON THE OPERATING DEVICE. DOORS SHALL NOT SWING INTO THE REQUIRED CLEAR FLOOR OR GROUND SPACE.

THESE DIAGRAMS ARE AN INTERPRETATION OF THE CBC SECTIONS. FINAL LOCATION OF ACTIVATION DEVICES SHOULD BE APPROVED PRIOR TO CONSTRUCTION BY AUTHORITIES HAVING JURISDICTION.



NO:	DATE:	REVISION DESCRIPTION:

ENGINEER APPROVAL:

THIS DRAWING SCALED TO PRINT 17" x 11"

Automated DOOR Solutions
by La Force

2834 Hamner Ave #308 Norco, CA 92860 | www.AutomatedDoorSolutions.com
Phone 866.945.7594 | Sales@AutomatedDoorSolutions.com

PROJECT DESCRIPTION:

JOB NAME:	
JOB ADDRESS:	PROJECT NO:
JOB CITY:	SHEET SCALE: NONE
SHEET DESCRIPTION: INSTALLATION GUIDELINES	SHEET NO: 104

WWW.PROSHOPDRAWINGS.COM

DATE PRINTED: 4/20/21



ELECTRICAL NOTES

110	SINGLE PHASE 110VAC, DEDICATED GFCI CIRCUIT, REQUIRED. CONDUIT & WIRE PULL BY DIVISION 16.
INT	EXCLUSION: 8/22 LOW VOLTAGE CABLING REQUIRED FOR AUTOMATIC OPENER INTERFACE. CONDUIT & WIRE PULL BY OTHERS
CON	EXCLUSION: (2) CONDUIT REQUIRED FOR AUTOMATIC OPENER INTERFACE BETWEEN PAIRED OPERATOR HOUSINGS. ONE CONDUIT FOR 110VAC AND ONE CONDUIT FOR INTERFACE. CONDUIT & WIRE PULL BY OTHERS
CR	EXCLUSION: CARD READER/REMOTE OPEN - (NO) DRY CONTACT - MOMENTARILY CLOSES UPON VALID CARD READ. CONDUIT & WIRE PULL BY OTHERS.
PS	POWER SUPPLY: EXCLUSION, BY OTHERS. MOUNTED BY ELECTRICAL CONTRACTOR. LOCATION MUST ALLOW FOR FUTURE SERVICE, AND MUST NOT BE OVER 50' FROM OPENING.
EX	EXCLUSION: 4/18 LOW VOLTAGE CABLING REQUIRED FOR ELECTRIC LATCH RETRACTION. CONDUIT & WIRE PULL BY OTHERS.
LV	EXCLUSION: LOW VOLTAGE - SEE ELEVATION FOR ALL LOW VOLTAGE REQUIREMENTS. CONDUIT & WIRE PULL BY OTHERS. SHOWN FOR ELECTRICAL PREPARATION REQUIREMENTS.
PSH	EXCLUSION: 6/22 SHIELDED LOW VOLTAGE CABLING REQUIRED FOR EACH PRESS PLATE. 4S ELECTRICAL BOX REQUIRED WITH 1 OR 2 GANG MUD RING. CONDUIT, BOX & WIRE PULL BY OTHERS. NOTE: MUST BE LOCATED 24" BEYOND SWING PATH OF DOOR TO BE CODE COMPLIANT. *THIS CABLE MUST BE CONTINUOUS FROM PRESS PLATE TO AUTOMATIC OPENER.

GENERAL ELECTRICAL NOTES

• BACK BOXES: ALL PUSH PLATE LOCATIONS PER ARCHITECTURAL DRAWINGS. HOWEVER, ALL BACK BOXES MUST BE LOCATED 24" BEYOND SWING PATH OF DOOR TO BE CODE COMPLIANT.

PRODUCT SCHEDULE

QTY	DESCRIPTION
02 EA	SW200i IN-GROUND SWING DOOR OPERATOR(S)
	<ul style="list-style-type: none"> ISOLATED PIVOT HEAVY DUTY OPENER CONFIGURED FOR AES 109408 HD ENDL0AD DOOR ARM 5/16 HP MOTOR MICROPROCESSED CONTROL DOOR COMPLIES WITH ANSI 156.19 STANDARDS SEE ELEVATION FOR SIZE AND CONFIGURATION

NOTES

EX	EXISTING FINISHED FLOOR, DOORS, FRAMES AND HARDWARE NOT SPECIFICALLY LISTED IS BY OTHERS.
CO	CONCRETE CUTOUT BY OTHERS
K	3/4" ELECTRICAL KNOCKOUT
S	SHAFT SEAL
C	C CHANNEL WELDED TO COVER
D	EXCLUSION: DRAINAGE *REQUIRED FOR WARRANTY. UNIT IS WATER RESISTANT, DRAIN IS FOR CONDENSATION THAT BUILDS UP OVER TIME INSIDE HOUSING. THIS REQUIRES A 3" CORE DRILL. THIS IS A BRASS SINK DRAIN, 1" PIPE SIZE, 2" TOP DIAMETER AND 3 1/4" LONG. FITS 1 3/8" SINK OPENING, INCLUDES LOCKNUT AND RUBBER WASHER. THE ACTUAL PHYSICAL OUTER THREAD DIAMETER IS 1 19/64".
SA	(SA) SERVICE ACCESS REQUIRED THRU-OUT THE CASE. HOWEVER, SERVICE ACCESS REQUIRED WITHOUT REMOVING DOOR. SHOWN AS SEPARATE SA.
SF	PENETRATION OF THE OPERATOR HOUSING WITH PHYSICAL ATTACHMENTS FOR THRESHOLD OR ANY OTHER HARDWARE CAN CAUSE DAMAGE AND LEAKAGE INTO THE OPERATOR AND SHALL VOID ALL WARRANTIES EXPRESSED OR IMPLIED
	MAXIMUM WEIGHT OF DOOR IS 500 LBS

MATERIAL LIST

MRK	QTY	DESCRIPTION
GRT	-	MFR RECOMMENDED NON-SHRINKING GROUT
P2	00 EA	PUSH PLATE: WIKK INGRESS'R VERTICAL ACTIVATION DEVICE WITH "PUSH TO OPEN" & INTERNATIONAL ADA SYMBOL ENGRAVED INTO FACEPLATE. FACE PLATE FINISH: BRUSHED STAINLESS STEEL 630 ENGRAVING FINISH: BLUE POWDER COAT NOTE: SHOWN FOR ILLUSTRATION PURPOSE ONLY
B2	00 EA	BOLLARD: WIKK BOLLARD SQ11 42" X 6" STAINLESS STEEL WITH CARD READER ABOVE. FINISH: BRUSHED STAINLESS STEEL 630 NOTE: SHOWN FOR ILLUSTRATION PURPOSE ONLY

ADDITIONAL MATERIAL

HEADER CONCEALED ELECTRIC STRIKE INTERFACE

NO:	DATE:	REVISION DESCRIPTION:

ENGINEER APPROVAL:

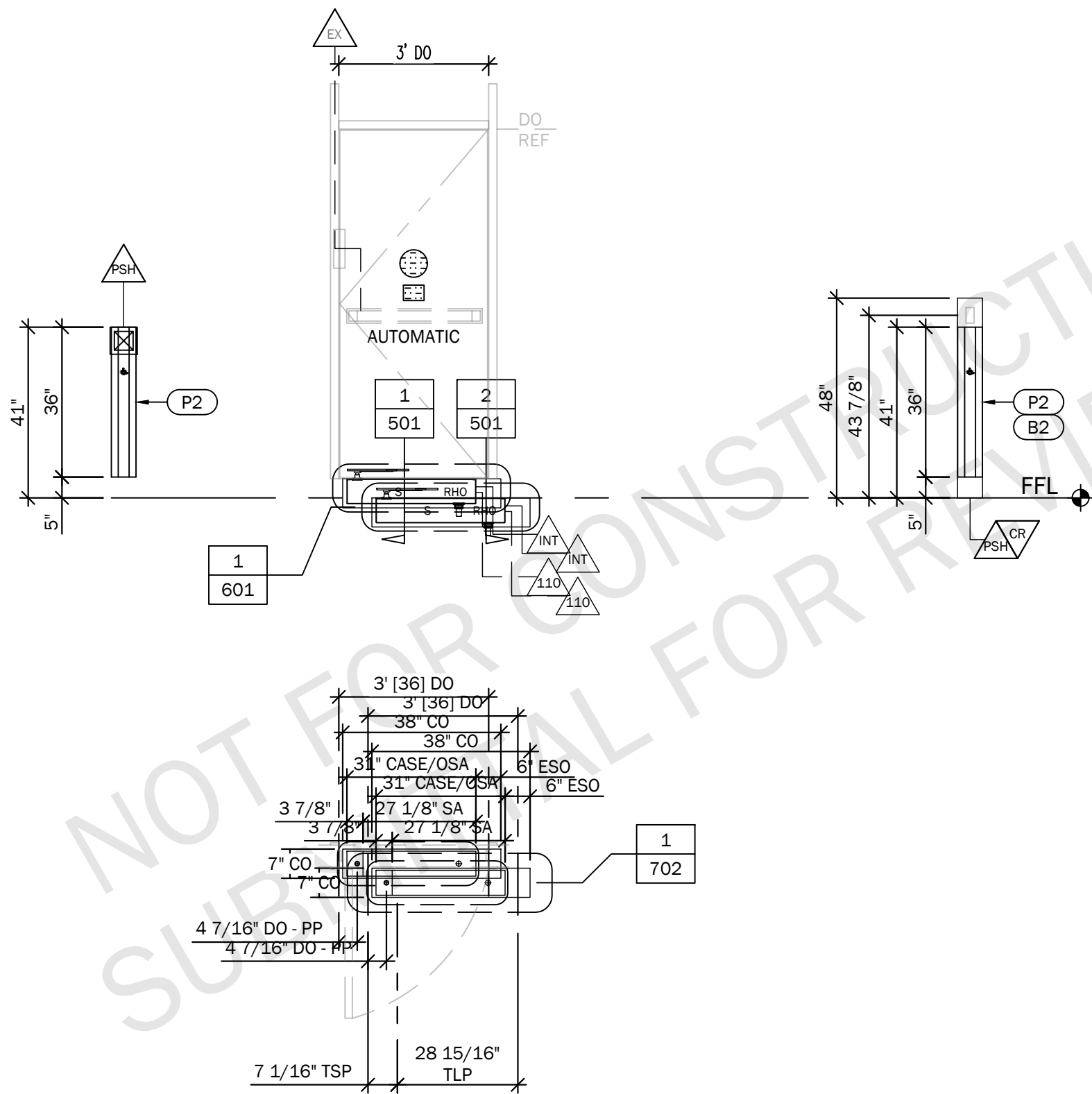


2834 Hamner Ave #308 Norco, CA 92860 | www.AutomatedDoorSolutions.com
Phone 866.945.7594 | Sales@AutomatedDoorSolutions.com

PROJECT DESCRIPTION:

JOB NAME:	
JOB ADDRESS:	PROJECT NO:
JOB CITY:	SHEET SCALE: NONE
SHEET DESCRIPTION: PRODUCT SCHEDULE	SHEET NO: 201

THIS DRAWING SCALED TO PRINT 17" x 11"



01 ELEVATION AND PLAN

AR REF: _____ QTY: _____
 SYSTEM: SW200i - IG RHO FINISH: _____
 PLAN: _____ H. GROUP: _____
 ELEVATION: _____ LOCATION: _____
 DOOR #: _____

NO:	DATE:	REVISION DESCRIPTION:

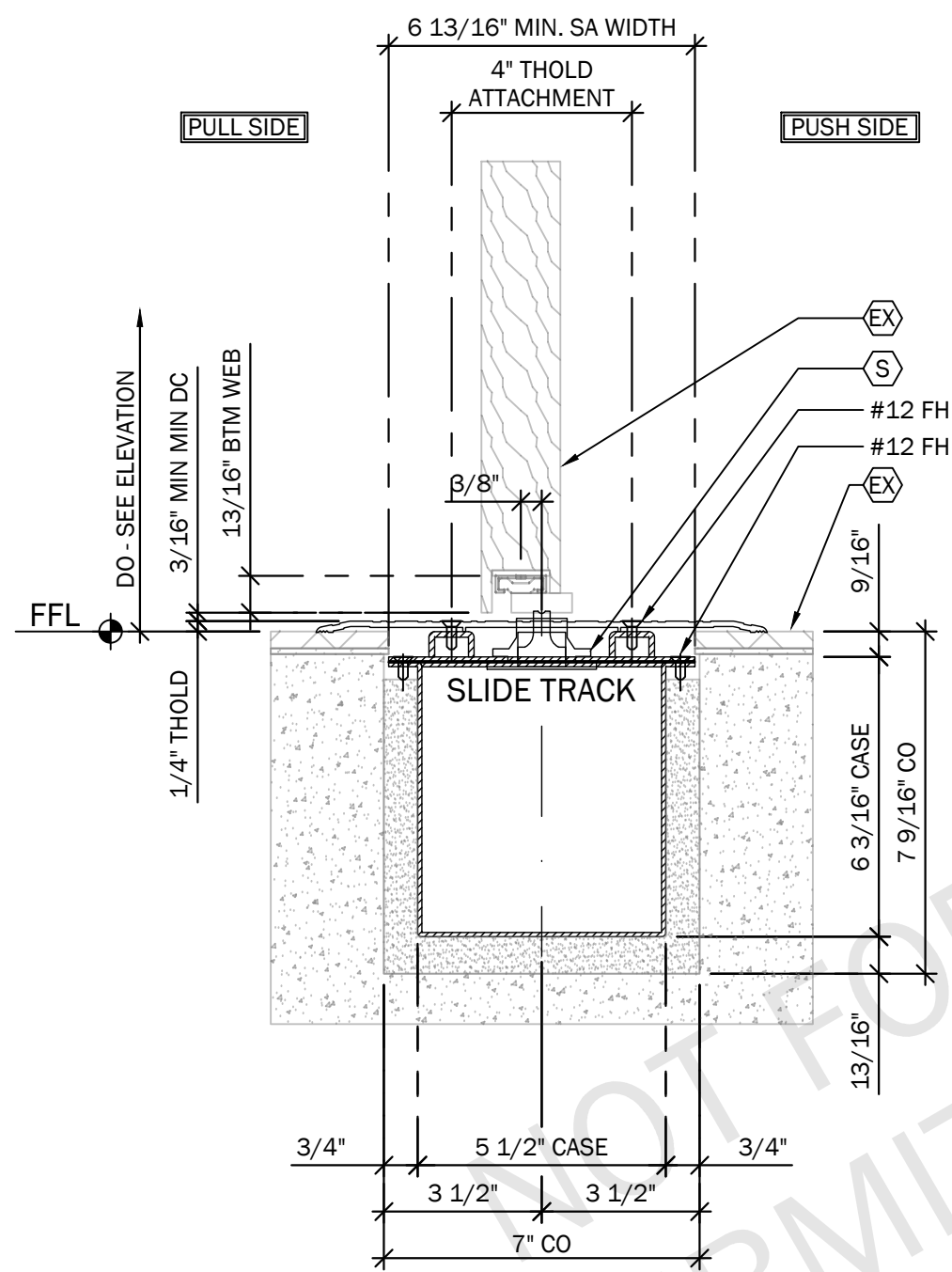
ENGINEER APPROVAL:



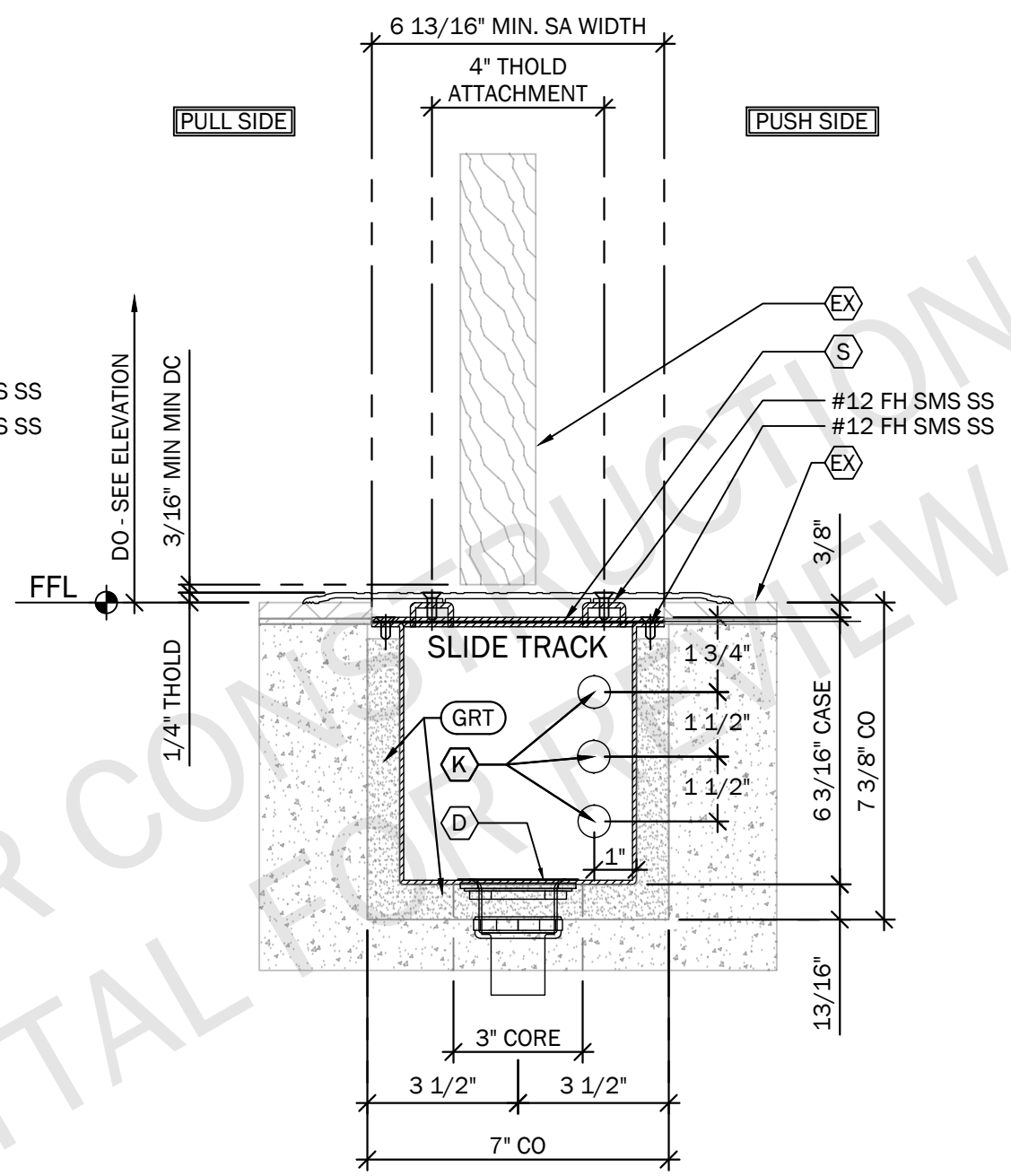
2834 Hamner Ave #308 Norco, CA 92860 | www.AutomatedDoorSolutions.com
 Phone 866.945.7594 | Sales@AutomatedDoorSolutions.com

PROJECT DESCRIPTION:

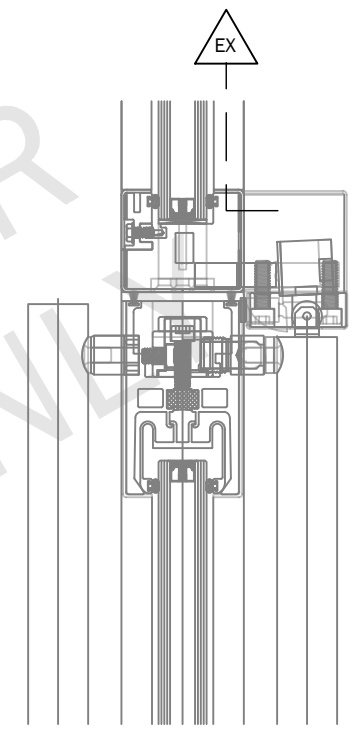
JOB NAME:	
JOB ADDRESS:	PROJECT NO:
JOB CITY:	SHEET SCALE: 3/8" = 1'-0"
SHEET DESCRIPTION: ELEVATION	SHEET NO: 401



1 PIVOT SECTION



2 LEADING EDGE SECTION



3 E STRIKE (BY OTHERS)

NOTES:
 THRESHOLD SYSTEMS PROVIDED BY OTHERS SHALL BE PREPARED AND INSTALLED TO ALLOW FOR COMPLETE ACCESS TO THE OPERATOR, CONTROL AND PIVOT SYSTEM WITHOUT DOOR REMOVAL.
 PENETRATION OF THE OPERATOR HOUSING WITH PHYSICAL ATTACHMENTS FOR THRESHOLD OR ANY OTHER HARDWARE CAN CAUSE DAMAGE AND LEAKAGE INTO THE OPERATOR AND SHALL VOID ALL WARRANTIES EXPRESSED OR IMPLIED

DATE PRINTED: 4/20/21

NO:	DATE:	REVISION DESCRIPTION:

ENGINEER APPROVAL:



2834 Hamner Ave #308 Norco, CA 92860 | www.AutomatedDoorSolutions.com
 Phone 866.945.7594 | Sales@AutomatedDoorSolutions.com

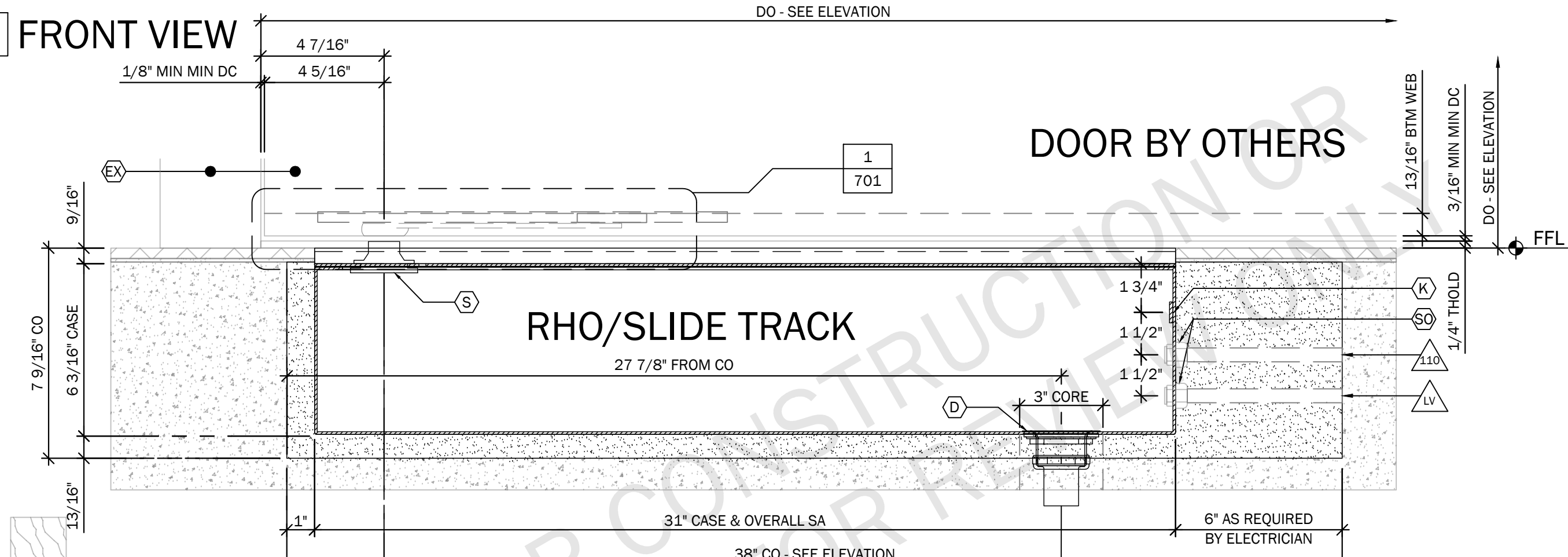
PROJECT DESCRIPTION:

JOB NAME:	
JOB ADDRESS:	PROJECT NO:
JOB CITY:	SHEET SCALE: 3" = 1'-0"
SHEET DESCRIPTION: SECTION VIEWS	SHEET NO: 501

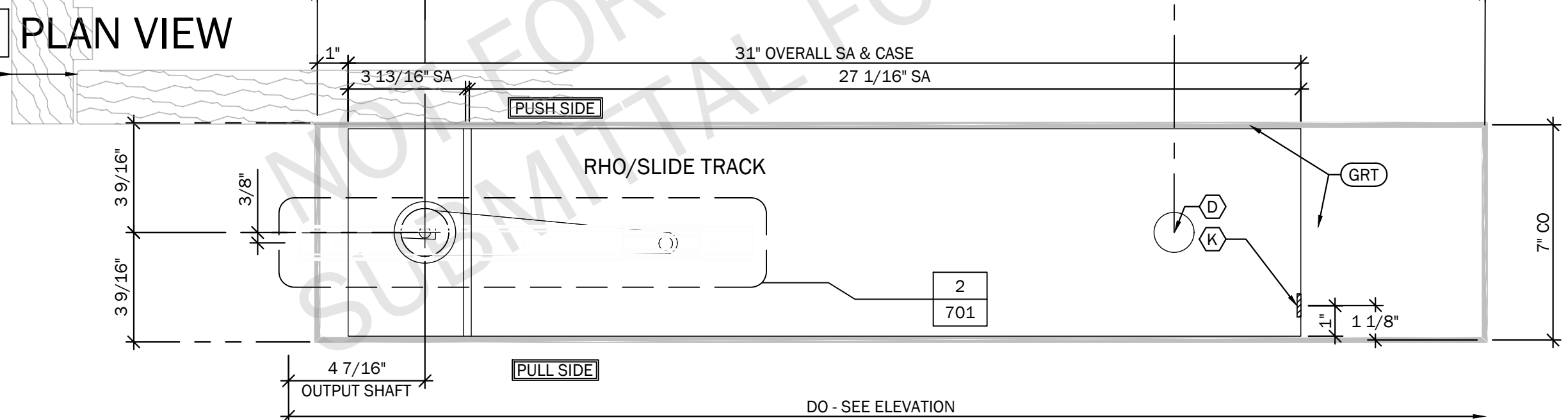
THIS DRAWING SCALED TO PRINT 17" x 11"

1 FRONT VIEW

DOOR BY OTHERS



2 PLAN VIEW



NOTES:
 THRESHOLD SYSTEMS PROVIDED BY OTHERS SHALL BE PREPARED AND INSTALLED TO ALLOW FOR COMPLETE ACCESS TO THE OPERATOR, CONTROL AND PIVOT SYSTEM WITHOUT DOOR REMOVAL.
 PENETRATION OF THE OPERATOR HOUSING WITH PHYSICAL ATTACHMENTS FOR THRESHOLD OR ANY OTHER HARDWARE CAN CAUSE DAMAGE AND LEAKAGE INTO THE OPERATOR AND SHALL VOID ALL WARRANTIES EXPRESSED OR IMPLIED

NO:	DATE:	REVISION DESCRIPTION:

ENGINEER APPROVAL:

Automated DOOR Solutions[®]
 by La Force
 2834 Hamner Ave #308 Norco, CA 92860 | www.AutomatedDoorSolutions.com
 Phone 866.945.7594 | Sales@AutomatedDoorSolutions.com

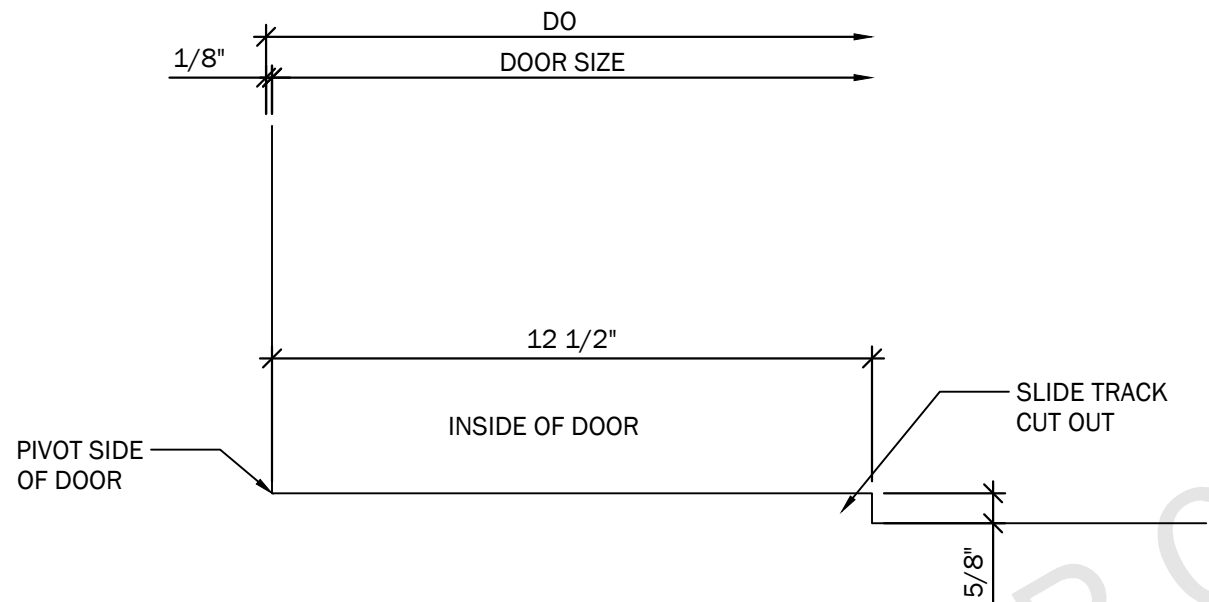
PROJECT DESCRIPTION:

JOB NAME:	
JOB ADDRESS:	PROJECT NO:
JOB CITY:	SHEET SCALE: 3" = 1'-0"
SHEET DESCRIPTION: FRONT AND PLAN VIEWS	SHEET NO: 601

TYPICAL RIXSON #327 DOOR PREPARATION (RHO APPLICATION)

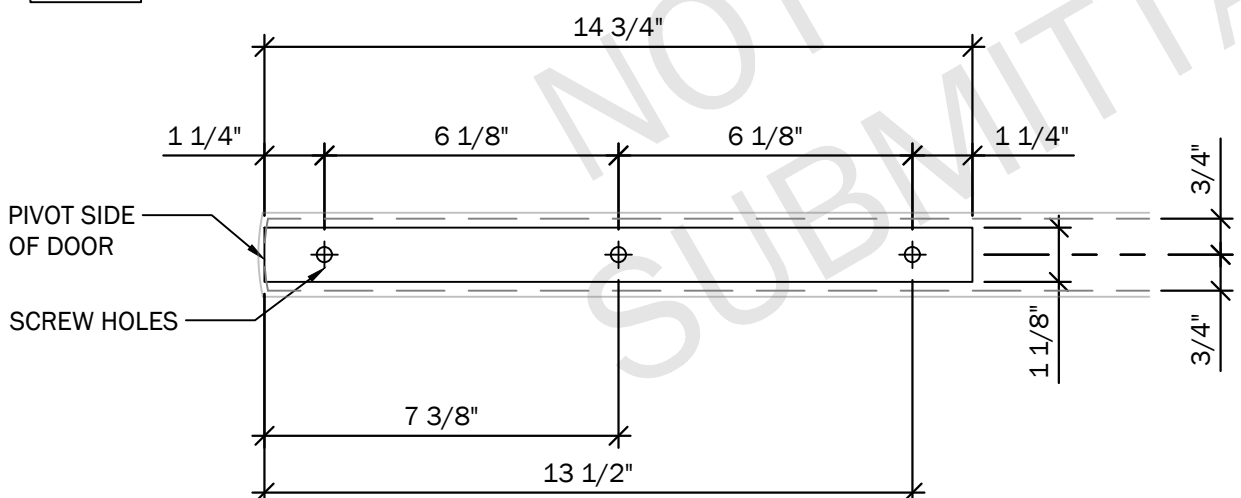
1

INSIDE PARTIAL ELEVATION VIEW



2

TOP VIEW



WWW.PROSHOPDRAWINGS.COM

DATE PRINTED: 4/20/21

NO:	DATE:	REVISION DESCRIPTION:

ENGINEER APPROVAL:

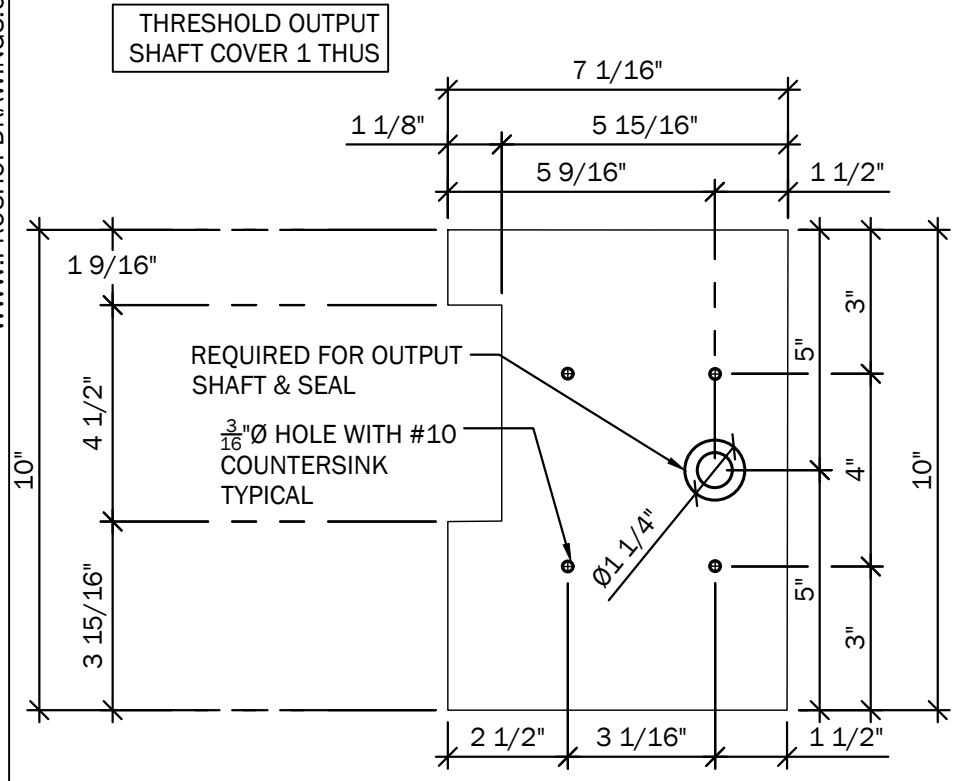


2834 Hammer Ave #308 Norco, CA 92860 | www.AutomatedDoorSolutions.com
Phone 866.945.7594 | Sales@AutomatedDoorSolutions.com

PROJECT DESCRIPTION:

JOB NAME:	
JOB ADDRESS:	PROJECT NO:
JOB CITY:	SHEET SCALE: 3" = 1'-0"
SHEET DESCRIPTION: DOOR ARM PREPARATION	SHEET NO: 701

THIS DRAWING SCALED TO PRINT 17" x 11"

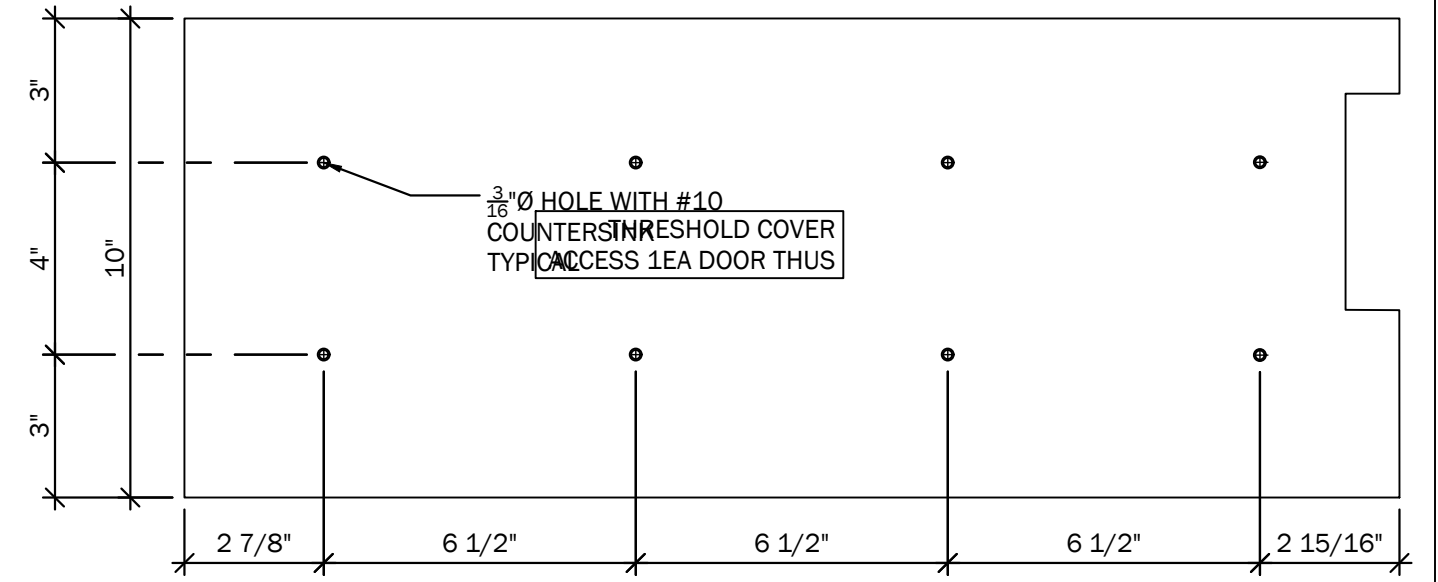


THRESHOLD SYSTEMS PROVIDED BY OTHERS SHALL BE PREPARED AND INSTALLED TO ALLOW FOR COMPLETE ACCESS TO THE OPERATOR, CONTROL AND PIVOT SYSTEM WITHOUT DOOR REMOVAL.

PENETRATION OF THE OPERATOR HOUSING WITH PHYSICAL ATTACHMENTS FOR THRESHOLD OR ANY OTHER HARDWARE CAN CAUSE DAMAGE AND LEAKAGE INTO THE OPERATOR AND SHALL VOID ALL WARRANTIES EXPRESSED OR IMPLIED

1

NOT FOR CONSTRUCTION OR SUBMITTAL FOR REVIEW ONLY



NO:	DATE:	REVISION DESCRIPTION:

ENGINEER APPROVAL:



2834 Hamner Ave #308 Norco, CA 92860 | www.AutomatedDoorSolutions.com
Phone 866.945.7594 | Sales@AutomatedDoorSolutions.com

PROJECT DESCRIPTION:

JOB NAME:	
JOB ADDRESS:	PROJECT NO:
JOB CITY:	SHEET SCALE: 3" = 1'-0"
SHEET DESCRIPTION: THRESHOLD PREPARATION	SHEET NO: 702